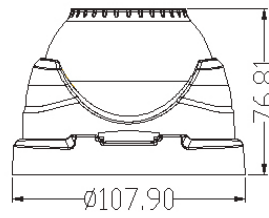
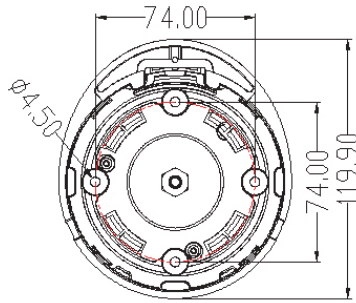


STD-E30 Series



Key Features

- Mini Dome
- IR Range to 75 ft
- IP 66
- 3D DNR, BLC, VCA
- DC 12V, PoE

STD-E30-200-FX-3.6-TDN STD-E30-200-FX-3.6-TDN-B	STD-E30-400-FX-3.6-TDN STD-E30-400-FX-3.6-TDN-B	STD-E30-200-FX-3.6-SL STD-E30-200-FX-3.6-SL-B
<ul style="list-style-type: none"> • 2 MP HD Resolution • 3.6 mm Fixed Lens • TDN/True Day Night • DWDR • White/Black(-B) Housing 	<ul style="list-style-type: none"> • 4MP HD Resolution • 3.6 mm Fixed Lens • TDN/True Day Night • DWDR • White/Black(-B) Housing 	<ul style="list-style-type: none"> • 2 MP HD Resolution • 3.6 mm Fixed Lens • Starlight • DWDR • White/Black(-B) Housing



SWM10E/SWM10E-B
Wall Mount



SJB10E/SJB10E-B
Junction Box



SPL10
Pole Mount



SCM10
Corner Mount